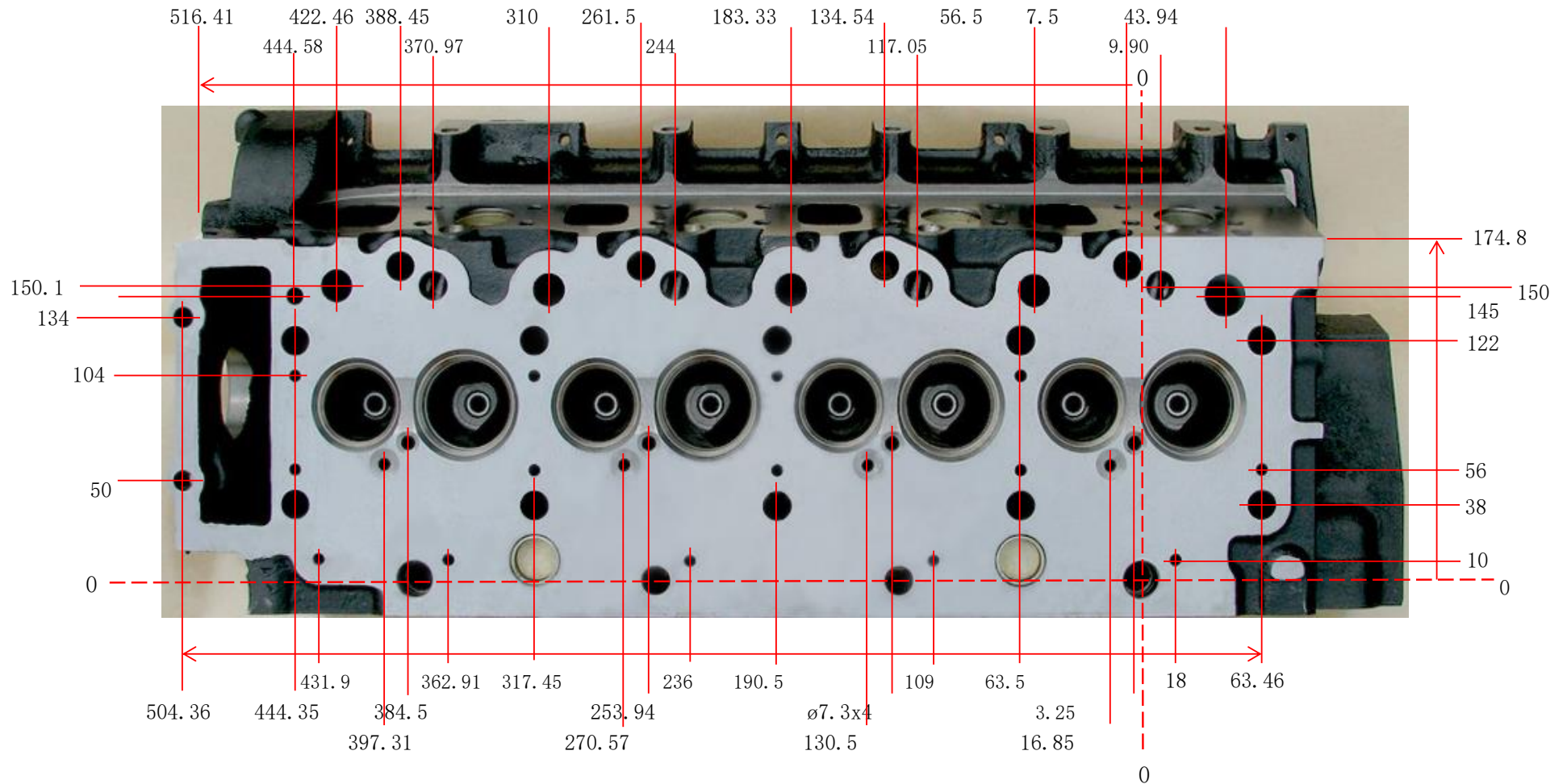


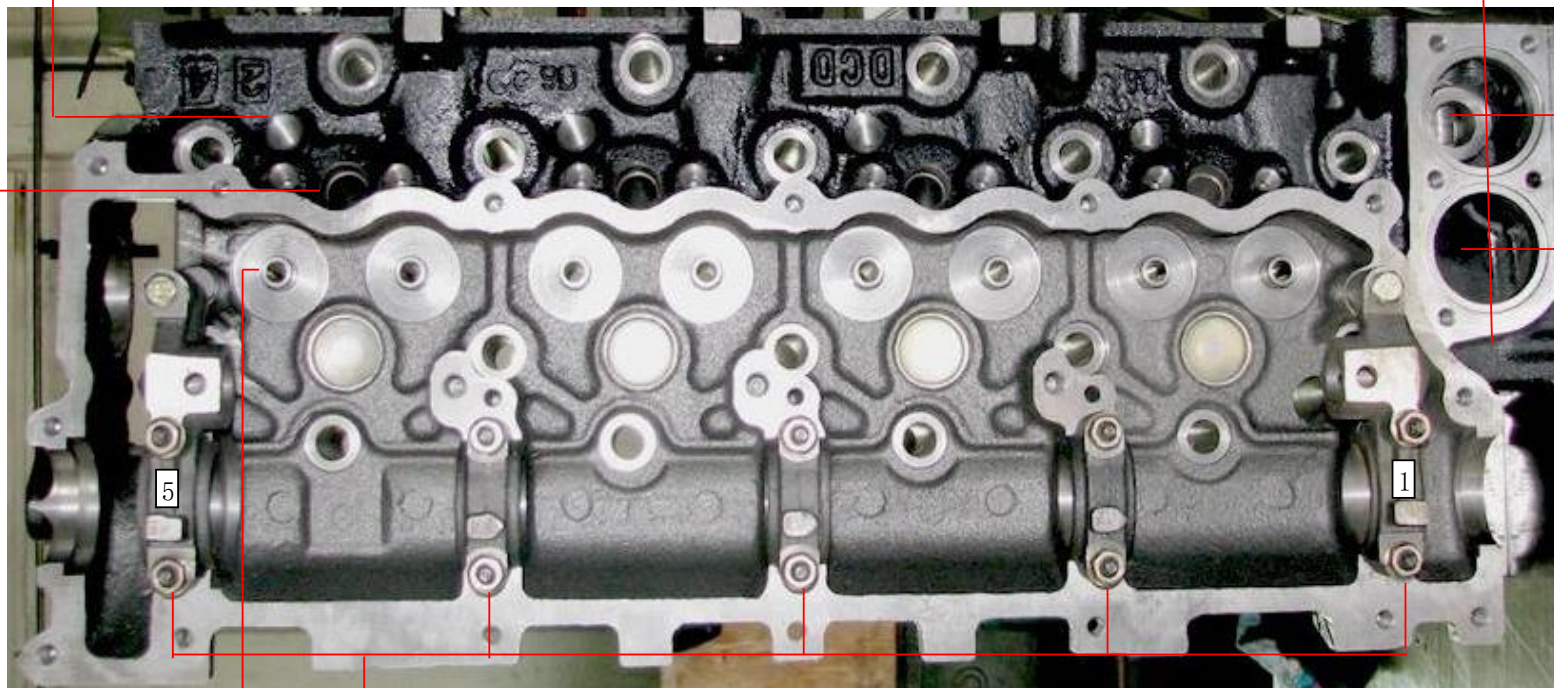
# 4HF1(turbo)



Inlet valve seat insert  $\phi 51$  width 2.5mm

Exhaust valve seat insert  $\phi 42$  width 2.0mm

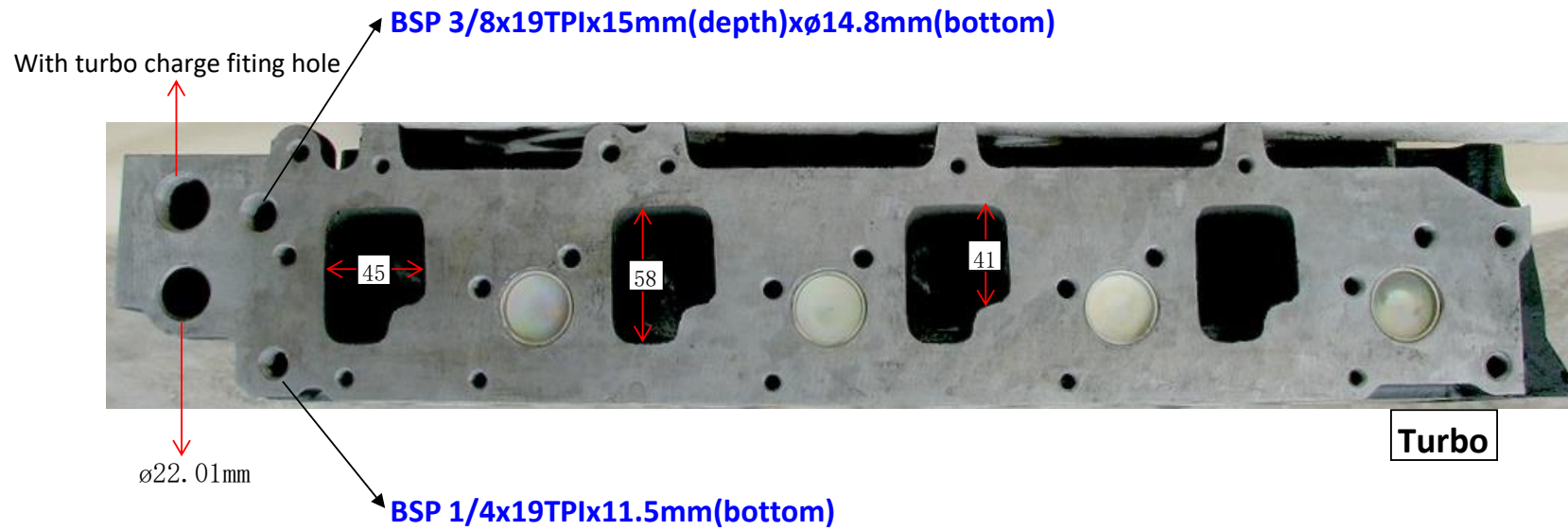
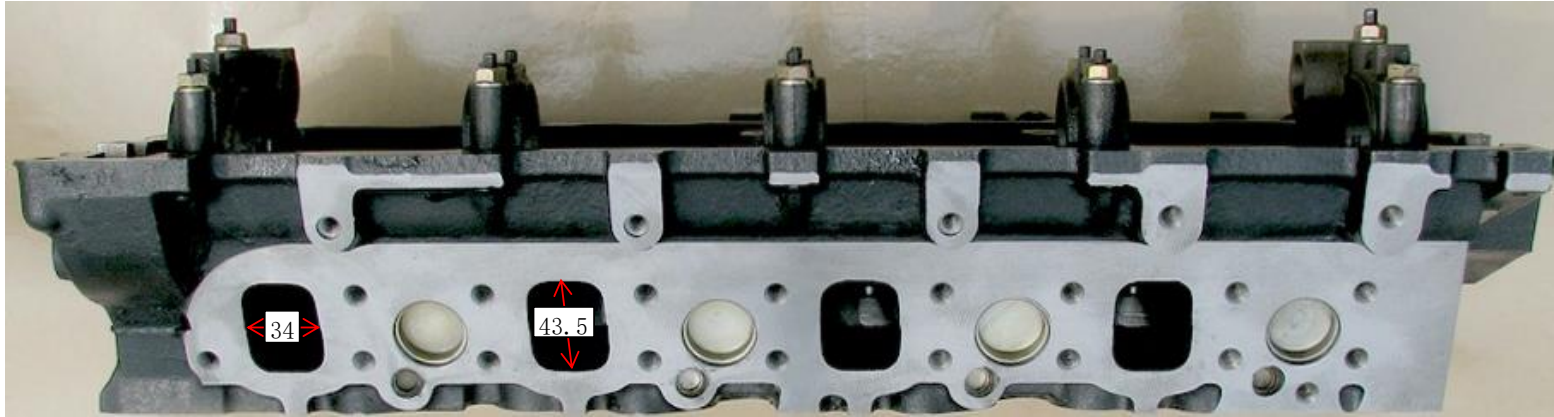
Injector hole  $\varnothing 19.1\text{mm} \times 12\text{mm}(\text{depth}) \rightarrow \varnothing 17.2\text{mm} \times 74\text{mm}(\text{depth}) \rightarrow \varnothing 7\text{mm}$   
Glow plug hole M12 x P1.25  $\varnothing 10.8\text{mm} \times 73\text{mm}(\text{depth}) \rightarrow \varnothing 6\text{mm}$



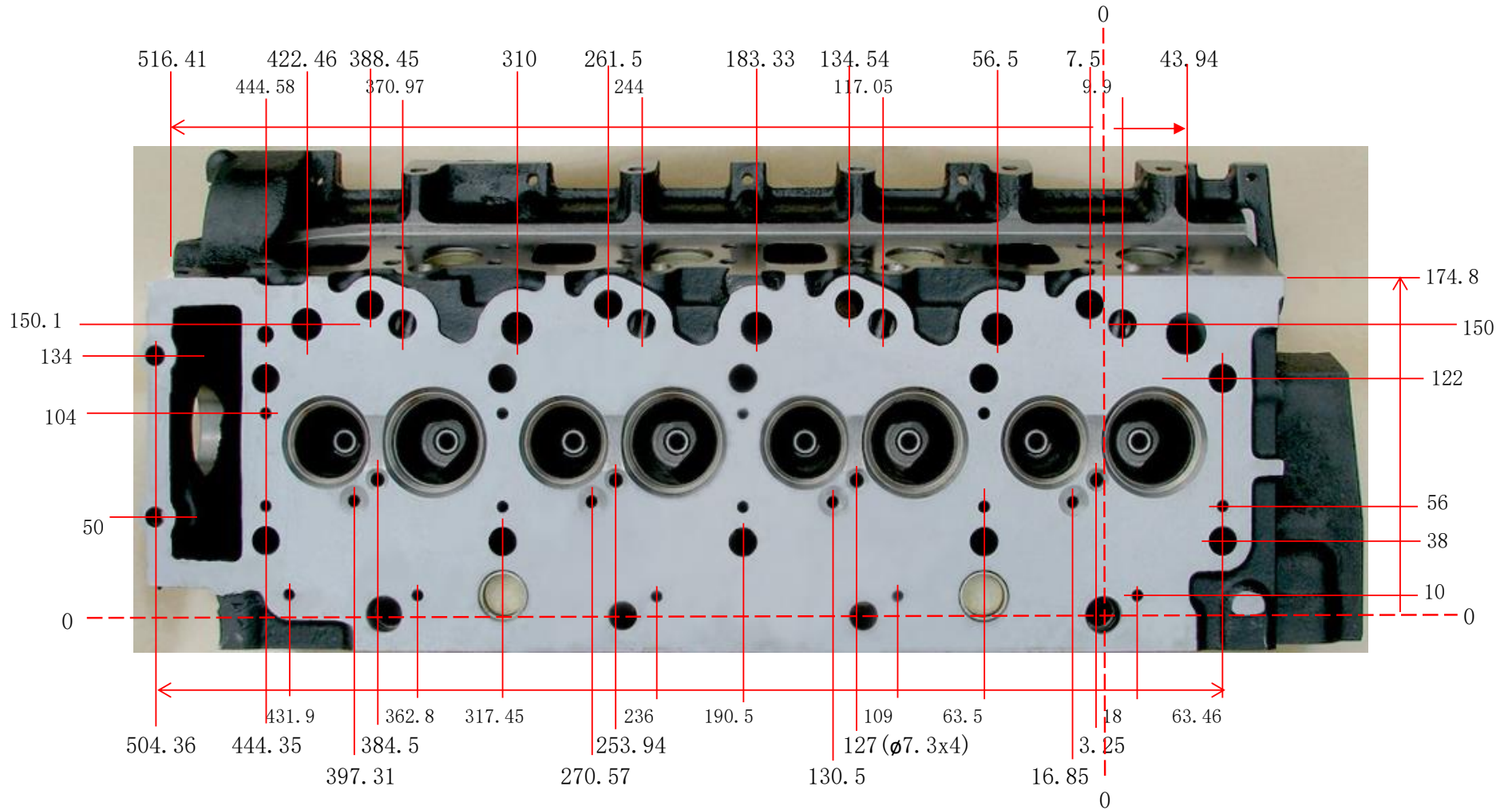
60

Camshaft tunnel  $\varnothing 42 \pm 0.01\text{mm}$  NO.5 thrust thickness 27.91mm

Valve guide inside diameter  $\varnothing 9 - 9.017\text{mm}$



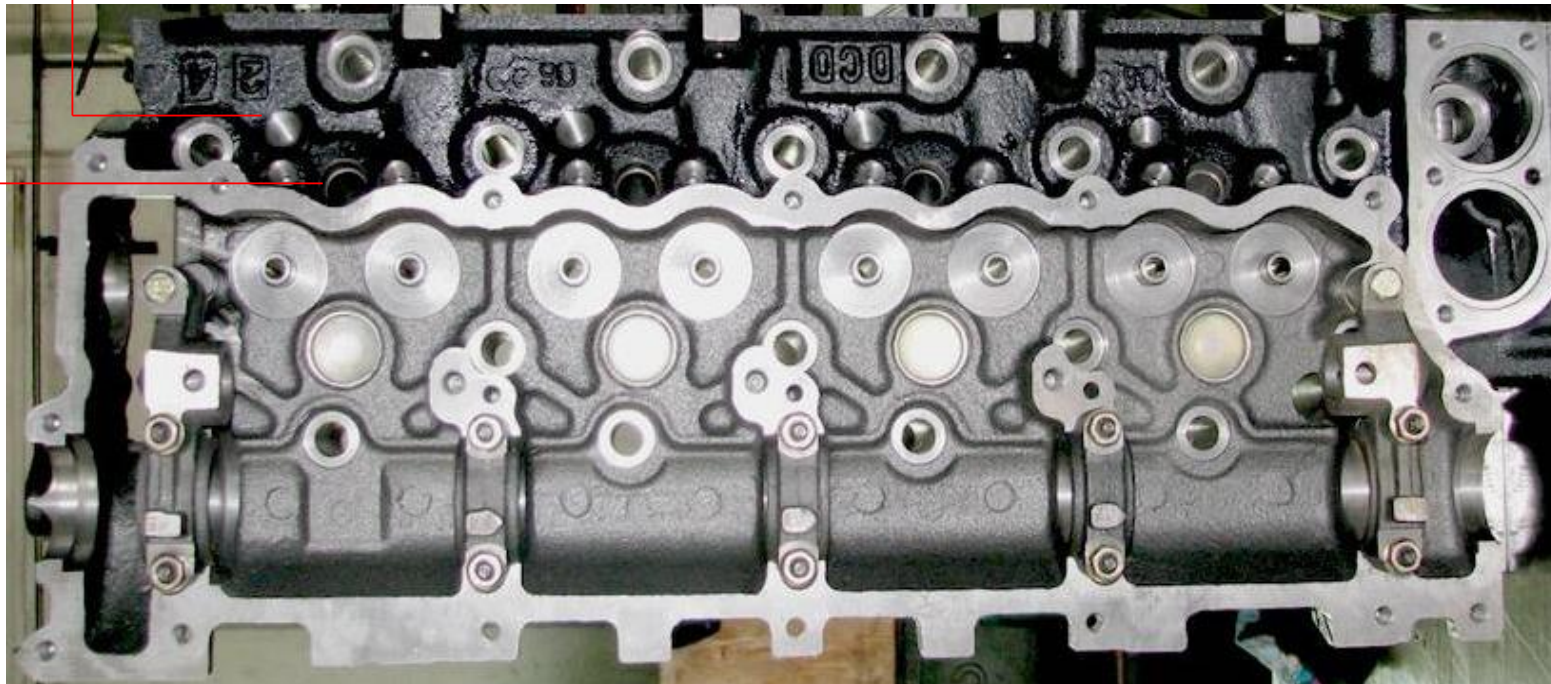
# 4HF1



Inlet valve seat insert ø51 width 2.5mm

Exhaust valve seat insert ø42 width 2.0mm

Injector hole  $\varnothing 19.1\text{mm} \times 12\text{mm}(\text{depth}) \rightarrow \varnothing 17.2\text{mm} \times 74\text{mm}(\text{depth}) \rightarrow \varnothing 7\text{mm}$   
Glow plug hole M12 x P1.25  $\varnothing 10.8\text{mm} \times 73\text{mm}(\text{depth}) \rightarrow \varnothing 6\text{mm}$



Camshaft tunnel  $\varnothing 42 \pm 0.01\text{mm}$  NO.5 thrust thickness 27.91mm

Valve guide inside diameter  $\varnothing 9 - 9.017\text{mm}$

