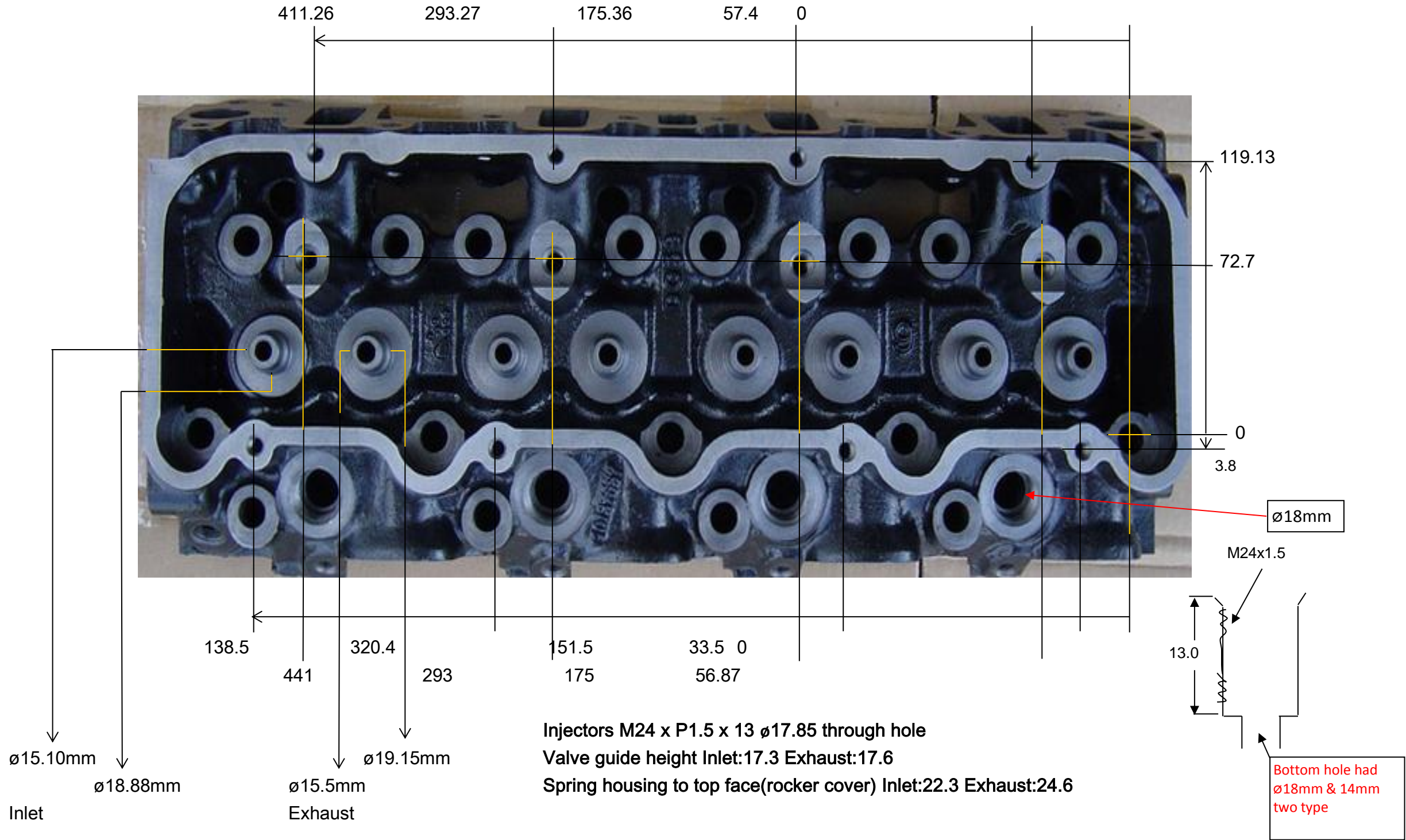
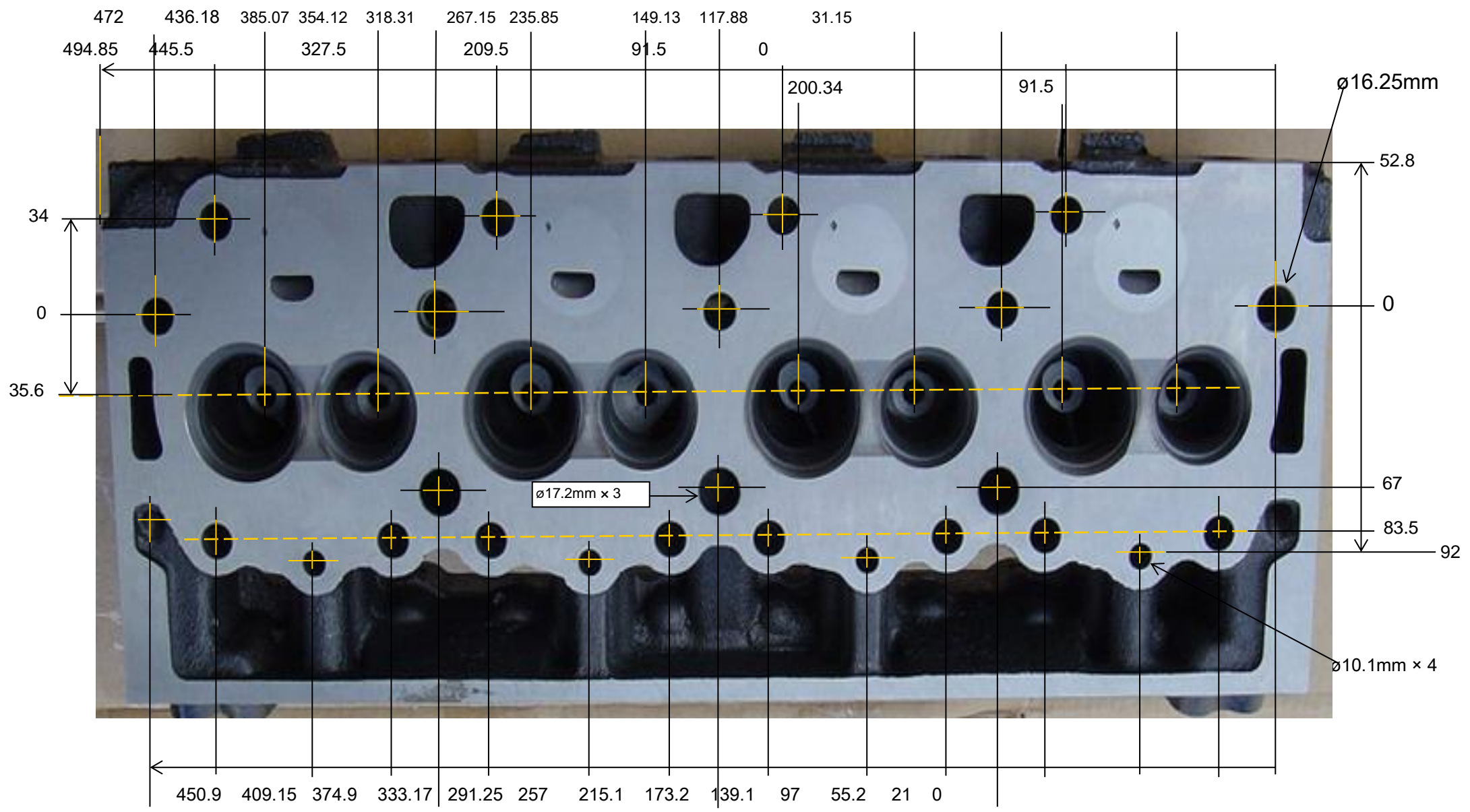
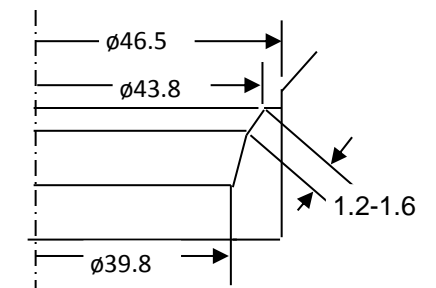


GM6.5

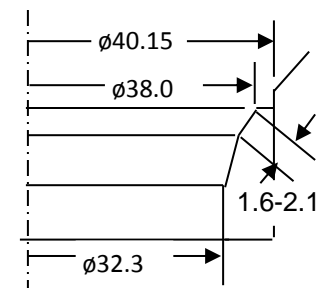




$\phi 10.5\text{mm}/478.8$

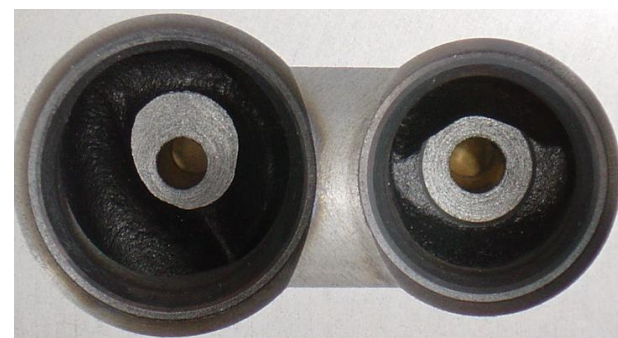


Inlet valve seat

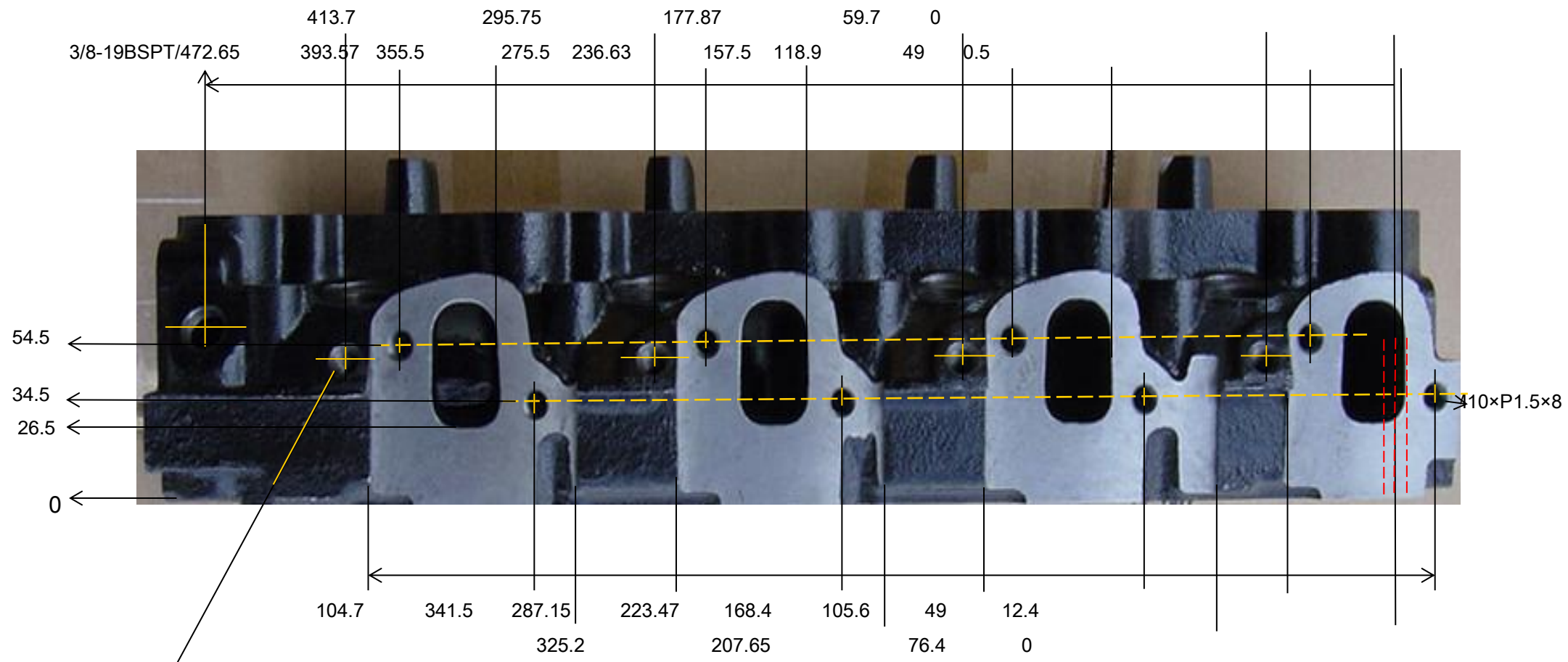


Exhaust valve seat

Inlet valve
diameter $\phi 46.00\text{ mm}$
guide diameter
 $\phi 8.72\text{mm}$



Exhaust valve
diameter $\phi 39.00\text{ mm}$
guide diameter
 $\phi 9.5\text{mm}$



Glow plug M10x1.0x15x17.0(deep); ϕ 5.5through hole

Exhaust manifold 41x26mm

